

Meridian City Condensing Water Heaters



Meridian City

Condensing Water Heaters 50 - 160kW

Meridian City is an extension of our popular Meridian range with new models and features that further enhance the capabilities of this range.

Added to the space saving and performance qualities of Meridian, City boasts smarter controls, higher efficiency and easier commissioning.

City features a stainless steel heat exchanger and can be installed indoor or outdoor and fuelled by Natural Gas or LPG.



Technical Data

Gas Pressure 2.0 kPa or 20mbar **Minimum Water Pressure** 1.2 bar **Maximum Water Pressure** 5 bar

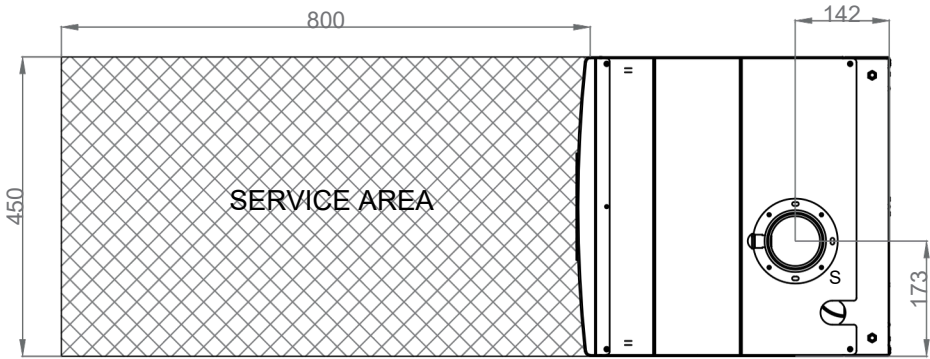
Model	Output 50/30°C Kw	Net Efficiency 50/30°C %	Output 80/60°C kW	Net Efficiency 80/60°C %	Nominal Input MJ/ hr	Modulation Ratio	50:30 Maximum flow rate (l/s)	Water Pressure Loss kPa	Total Water Volume litres	Dry Weight kg	Dimensions mm			Flue Connection size mm*	Air Intake size mm	Power Supply V/Hz
											H	W	D			
CITY 50	49.2	103.5	46	96.1	190	1:10	0.59	25	3.5	39.4	837	450	475	80	65	240/50
CITY 70	65.6	104.1	61.1	97.1	252	1:10	0.78	26	4	45.8	837	450	475	80	65	240/50
CITY 90	89.3	105	82.4	97.3	340	1:10	1.06	26	9	86.7	837	600	615	100	100	240/50
CITY 115	113.5	105.1	104.9	97.2	432	1:10	1.35	26	11.5	91.5	837	600	615	100	100	240/50
CITY 160	157.5	105	144.6	97.8	599	1:06	1.88	28	14	108.3	837	600	725	100	100	240/50

* The size of the main flue may vary from the flue connection size subject to various installation criteria.

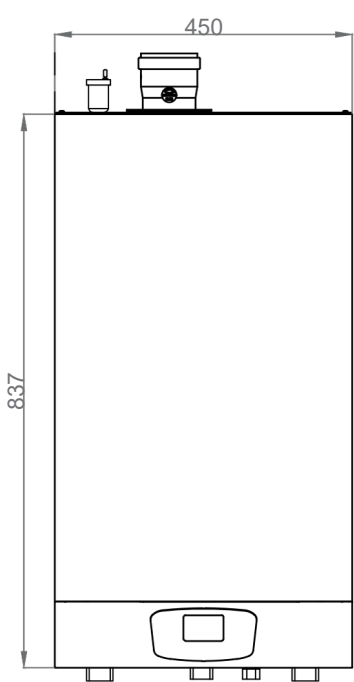
- For assistance with flue sizing, please discuss your project details with our technical support team.
- The internal pump can provide 60 kPa external head pressure.
- All secondary pumps must suck from the top of the hydraulic separator and pump into the field.

Drawings & Dimensions

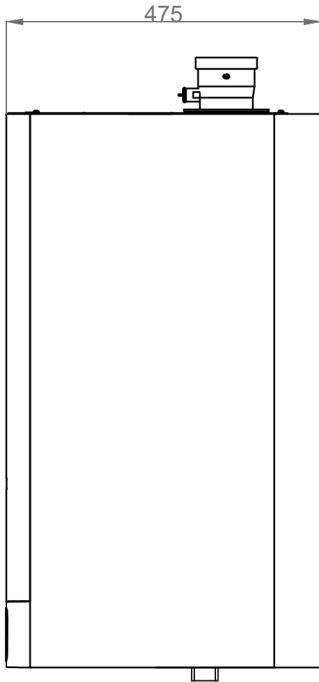
Meridian City 50-70



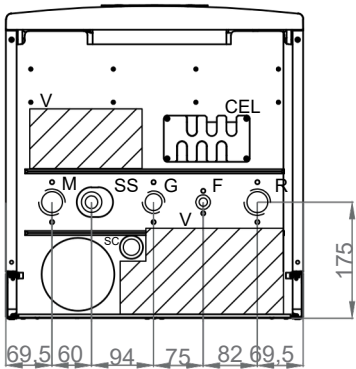
TOP VIEW



FRONT VIEW



SIDE VIEW

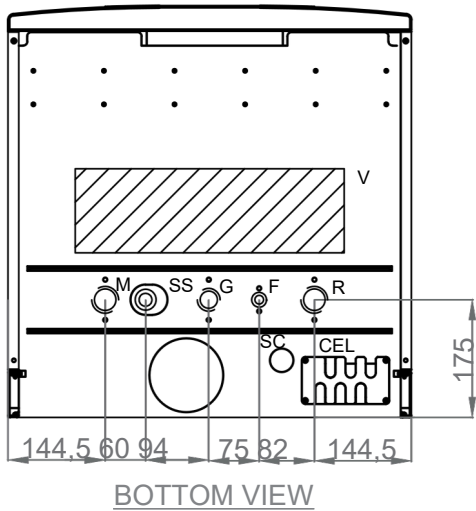
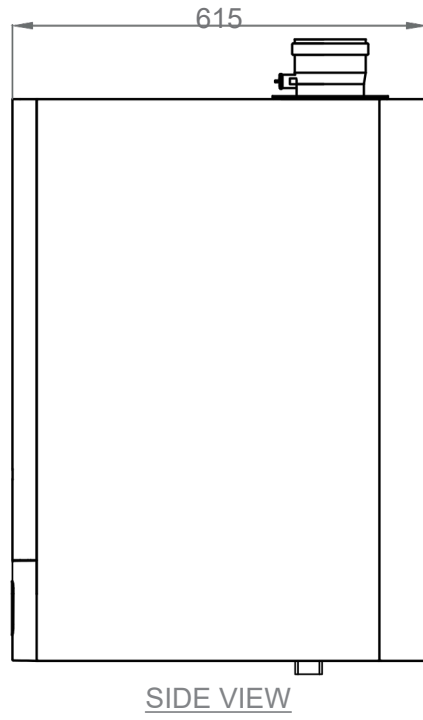
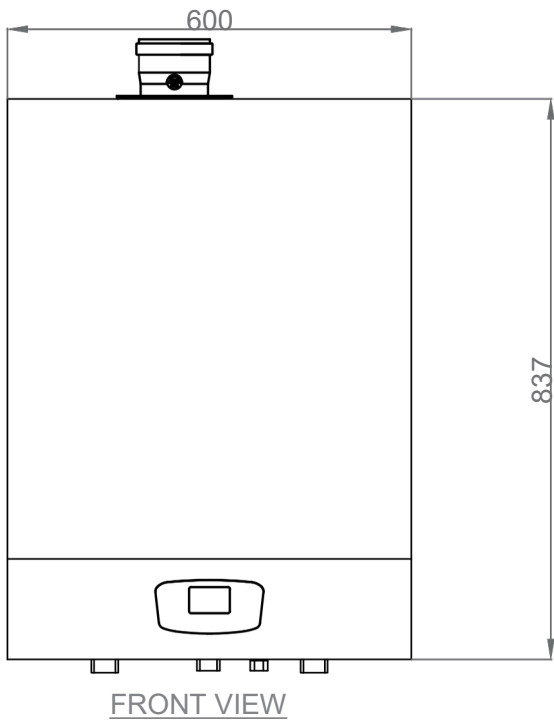
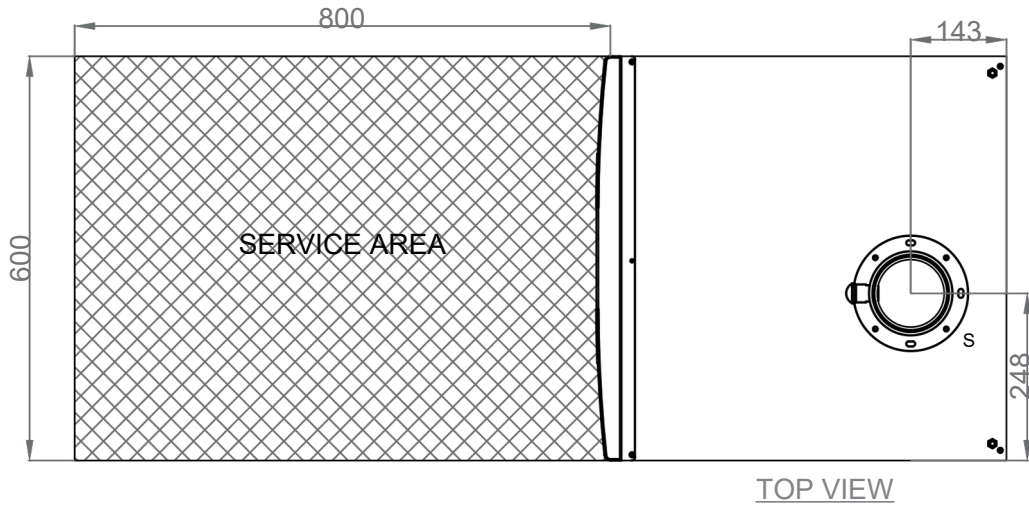


BOTTOM VIEW

Legend

- S** Flue Outlet (80mm dia.)
- M** HWW Outlet / Flow (1 1/4" M)
- SS** Safety Valve Discharge (3/4" F)
- G** Gas (1" M)
- SC** Condensation Drain (25mm dia.) approx. position
- F** System Filling Connection Point, with cap (1/2" M)
- CEL** Electric Connections (approx. position)
- R** HHW Inlet/Return (1 1/4" M)
- V** Ventilation

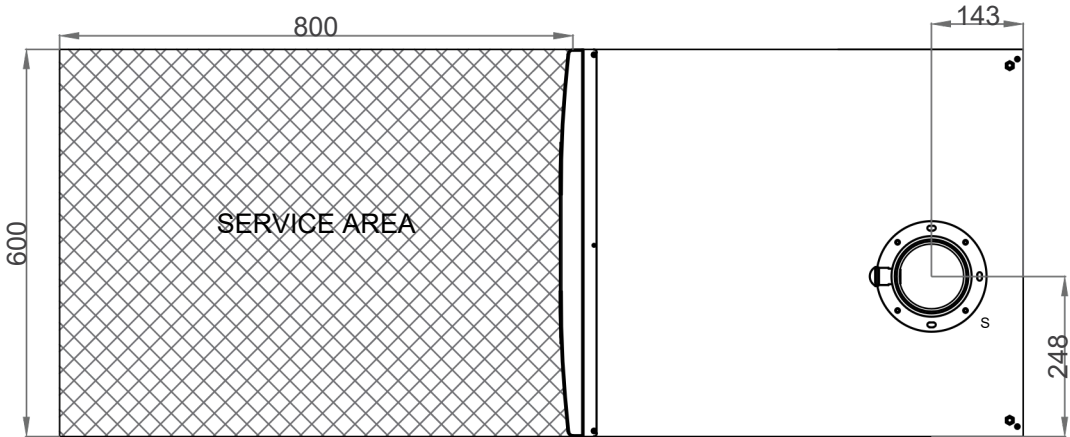
Meridian City 90-115



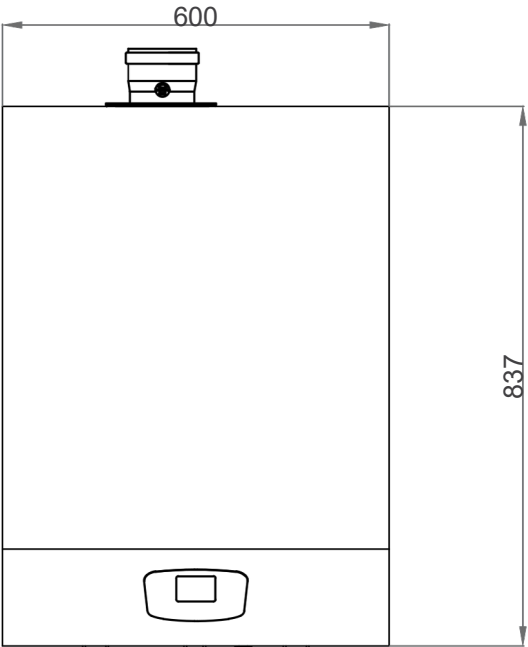
Legend

- S** Flue Outlet (100mm dia.)
- M** HWW Outlet / Flow (1 1/4" M)
- SS** Safety Valve Discharge (3/4" F)
- G** Gas (1" M)
- SC** Condensation Drain (25mm dia.) approx. position
- F** System Filling Connection Point, with cap (1/2" M)
- CEL** Electric Connections (approx. position)
- R** HWW Inlet/Return (1 1/4" M)
- V** Ventilation

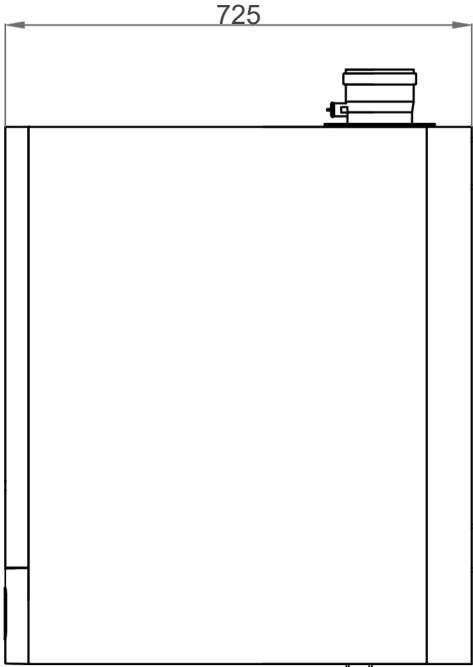
Meridian City 160



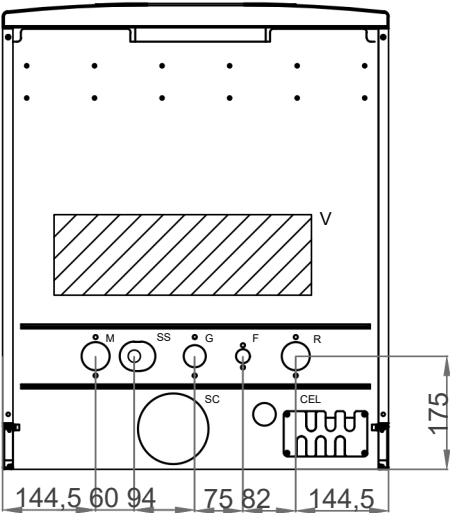
TOP VIEW



FRONT VIEW



SIDE VIEW



BOTTOM VIEW

Legend

- S** Flue Outlet (100mm dia.)
- M** HWW Outlet / Flow (1 1/4”M)
- SS** Safety Valve Discharge (3/4”F)
- G** Gas (1” M)
- SC** Condensation Drain (25mm dia.) approx. position
- F** System Filling Connection Point, with cap (1/2”M)
- CEL** Electric Connections (approx. position)
- R** HWW Inlet/Return (1 1/4” M)
- V** Ventilation

Skid Solutions





FlowQuip

Piped Equipment Specialties